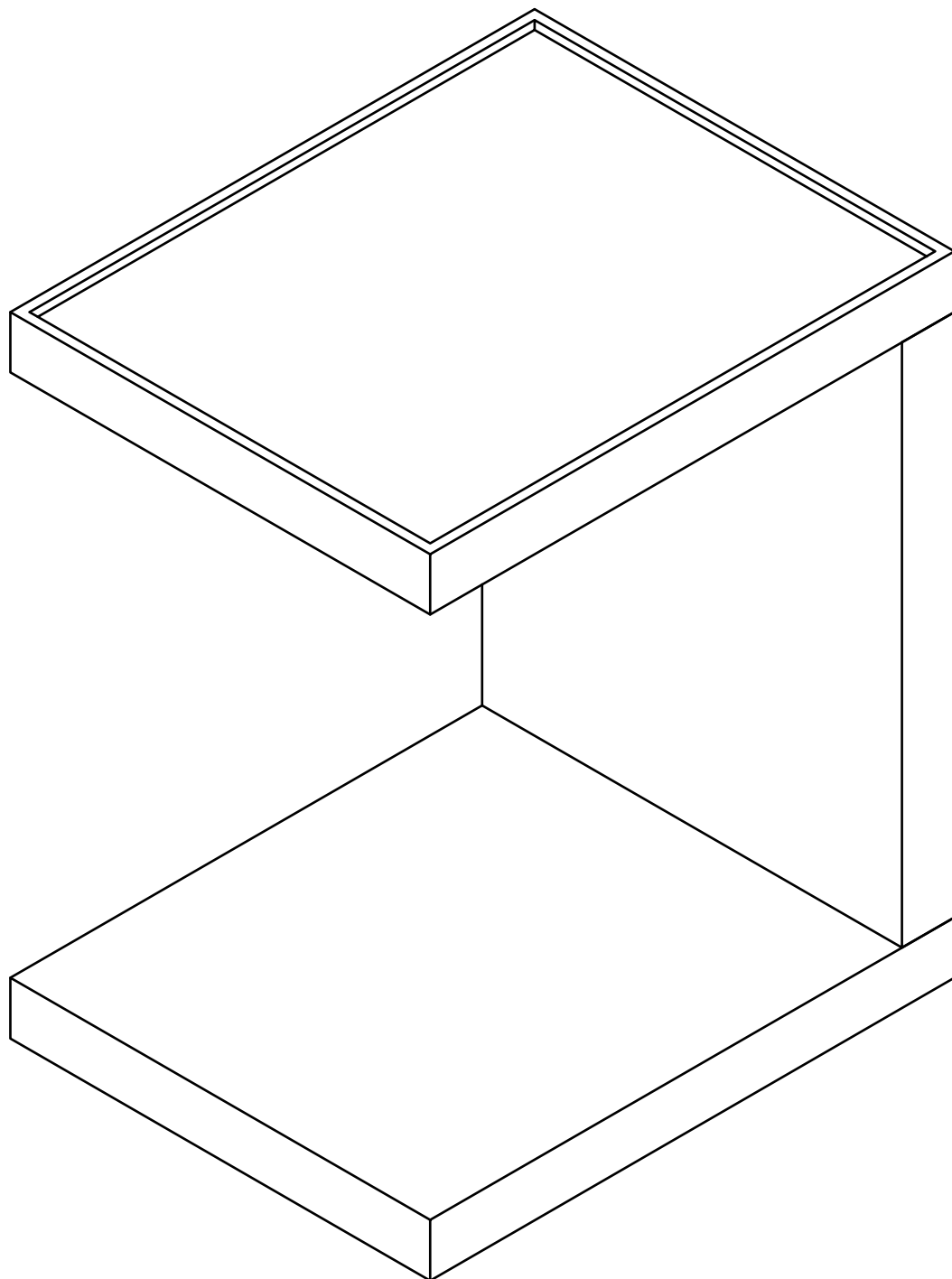
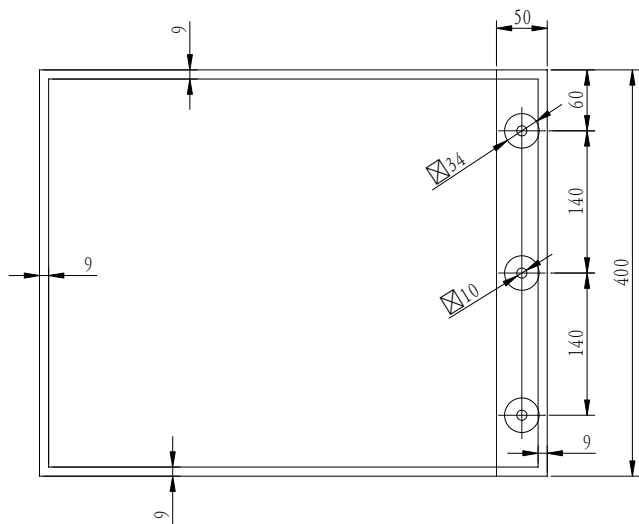
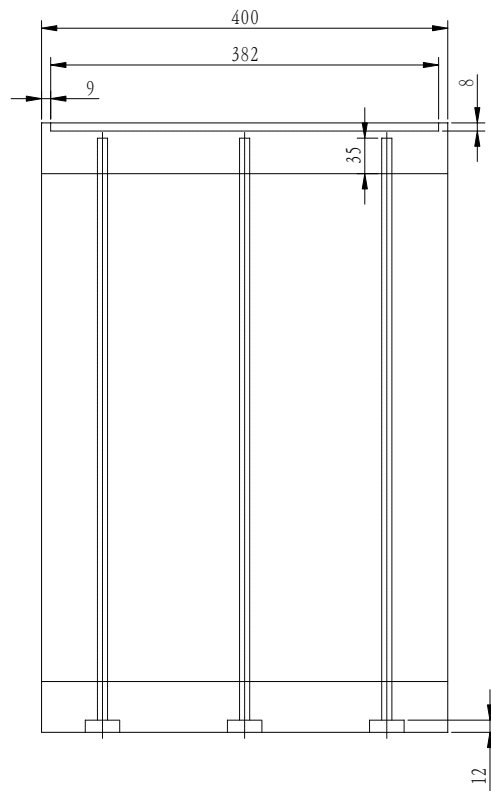
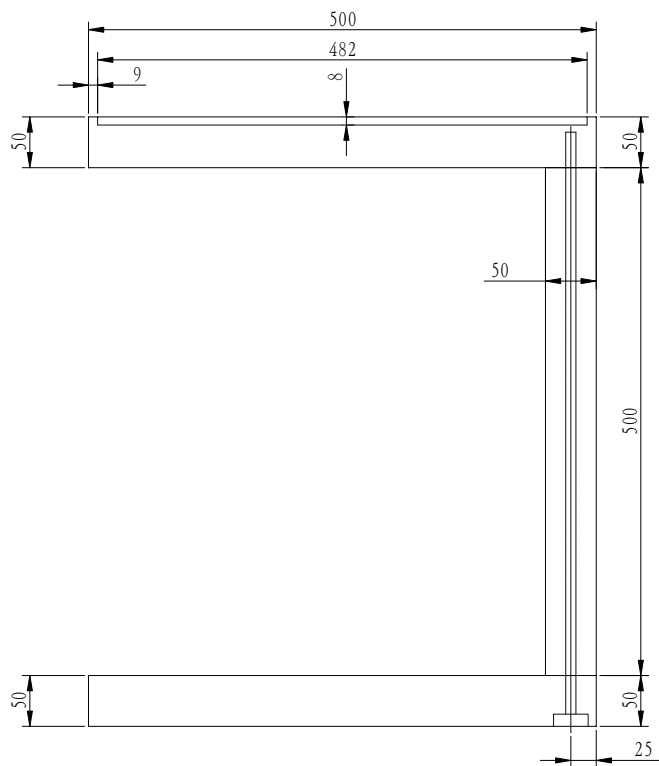


# 10S75 CUPBOARD





1 PIECE (片)

NAME			
DECP	CUPBORAD		
10S75			
DESIGNER	LUDWIG	NUM	1/2
DATE	26.NOV.10	ROBA	
		BAUMANN GMBH	

# HOLLOW BOARD (空心板)

$$1 \quad 3 \quad \times \quad 500 \quad \times \quad 400 \quad = \quad 0.60000 \quad \text{M}^2$$
$$0.60000 \quad \text{M}^2$$

NAME			
DECP	CUPBOARD		
10S75			
DESIGNER	LUDWIG	NUM	2/2
DATE	26.NOV.10	ROBA	
		BAUMANN GMBH	